

KOMATSU®

3,000 to 4,000 lb Capacity

Total AC Electric

AE50/AM50

CUSHION & PNEUMATIC TIRE FORKLIFTS

Features and Specifications



The Forklift with Proven Ability



The Best Solution For Your Application

Komatsu's new electric counterbalanced forklifts bring bold improvements to the market with significant reductions in total operating costs, while improving truck performance and productivity. Komatsu's AE50 / AM50 Series of four-wheel and three-wheel electric cushion and pneumatic tire forklifts feature new and innovative engineering ideas to show Komatsu's commitment to fulfilling customer needs, conserving our environment, and reducing costs of ownership.



Models

AE50 Series 4-Wheel Type

3,000 / 3,500 / 4,000 lb. Capacity

AM50 Series 3-Wheel Type

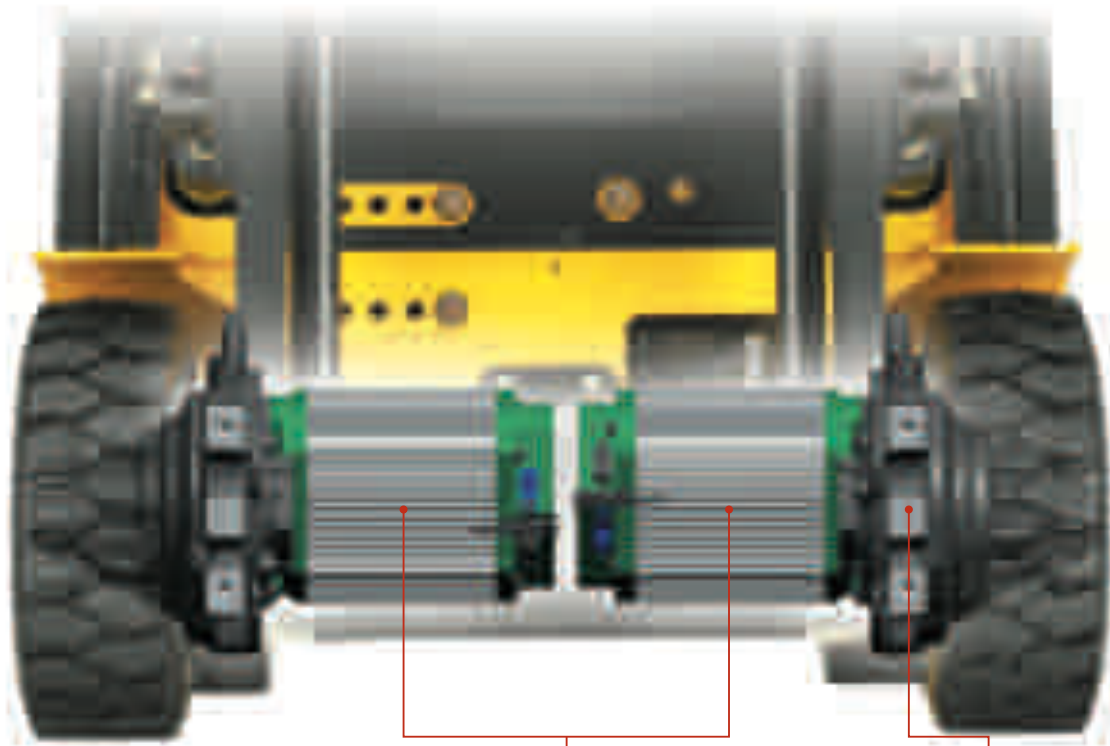
3,000 / 3,500 / 4,000 lb. Capacity



Low Total Operating Costs Are Achieved Through Advanced Komatsu Designs

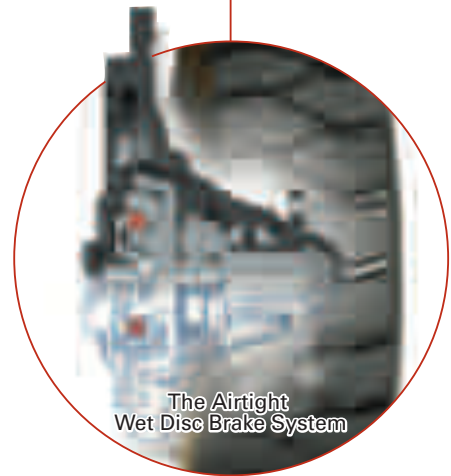
The AE50 / AM50 Series models feature Komatsu's innovative Total AC system along with special, airtight and sealed wet disc brakes to effectively reduce total operating costs. Reliability is also greatly enhanced through the use of water resistant designs and special waterproof wiring components, to achieve compliance with the IP X4 waterproof standard code, allowing the truck to be utilized in outdoor applications previously only available to engine powered models.





Minimal Maintenance Costs With Komatsu's Total AC System

The Total AC system utilizes (2) advanced technology AC drive motors and (1) AC hydraulic motor to achieve high performance with minimal costs. AC motors eliminate the need for motor brush or contactor checks or replacements, thereby greatly reducing overall routine maintenance costs. AC motors also provide high operating efficiency, long operating life, and longer run times than conventional DC type motors. The truck's power saving function enhances the truck's ability to operate for longer periods without reducing productivity or performance.



Exceptional Durability With An Airtight, Wet Disc Brake System

An airtight wet disc brake system assures dependable and reliable braking performance in virtually any working environment. Unlike conventional drum and shoe braking systems that require periodic checks and maintenance, Komatsu's wet disc brake system can go up to 10,000 hours with little more than oil changes, thereby providing more uptime and greatly reduced maintenance costs over the life of the truck.

Superior Controller Reliability

AE50 and AM50 controllers are designed to be lighter, more compact, and less complex in order to minimize the possibility of trouble. The controller is thoroughly tested to assure the highest standard of reliability, and is housed within a compartment designed to prevent the entry of dust, water and other possible contaminants.

IP X4 Waterproof Standard Specification

All Komatsu AE50 and AM50 models meet the IP X4 International waterproof standard through meticulous design considerations within the proportional hydraulic control valve, control micro-switches, potentiometers, and control signal circuits. With their reliable waterproof design, the AE50 / AM50 models can be used in coolers, freezers, outdoors, and also can be washed down with running water.

Easy Service Access

AE50 and AM50 models offer a gas-spring-assisted battery hood to make battery checks and maintenance smoother and easier to perform. Downtime is further reduced through the use of an on-board self-diagnostic system that makes troubleshooting and repairs quick and simple.



Outstanding Performance To Ensure Higher Productivity

Dual AC front wheel drive motors provide powerful travel and agile turning performance. Truck stability is further enhanced through a high mount rear axle and a low mounted battery keeping the truck center of gravity lower to the ground. Side battery access allows for quick battery change-outs to facilitate continuous operations. Due to these exceptional features and outstanding performance the AE50 / AM50 Series can raise your level of productivity.



Superior Traveling Performance with All-Around Dual Drive

All-around Dual Drive, a feature where each of the two front wheels is driven by an independent AC drive motor, provides for powerful traveling performance, comparable to that of an engine powered truck. Komatsu's All-around Dual Drive ensures superior performance in even the most undesirable floor/ground conditions.

Maximum travel speed	Acceleration	Gradeability
11.0 mph (17.7 km/h)	2.9 seconds (0 to 16.6')	19%

* All data measured on AE50 Series - FB15U Unloaded with travel power set at H.

Airtight Wet Disc Brake System is Standard

Komatsu's wet disc brake technology improves brake control in all application situations. Smooth braking performance further enhances productivity.



Excellent Turning Stability

Komatsu design technology achieves excellent turning stability due to its high-mounted rear axle and low-mounted battery that assures a low truck center of gravity. A rubber-mounted rear axle assembly absorbs shock and vibrations to give the operator a smooth ride and greater comfort.

High-mounted Rear Axle



Advanced Controller Technology

The AE50/AM50 Series features an advanced electronic controller that regulates or monitors all required truck functions in all situations and settings to assure the AC motor's best efficiency and performance.



Side Battery Access

The AE50 / AM50 Series provides for several ways to easily remove or exchange the truck battery facilitating continuous operations 24 hours a day, 7 days a week.

Low-mounted Battery





Proportional Hydraulic Control Valve

Oil flow is accurately measured and infinitely controlled through a combination of the truck controller and the proportional control valve. Infinitely variable hydraulic control speed allows for smooth, full-feathering of hydraulic movements as well as minimal shocks, making the AE50 / AM50 Series ideal for handling sensitive and fragile materials.

Fully Hydrostatic Power Steering (FHPS) System

Komatsu's hydrostatic power steering system allows for smooth and easy stationary steering and switchbacks, providing outstanding truck agility and maneuverability. With its smaller 12" (300 mm) diameter steering wheel, the Komatsu AE50 / AM50 Series achieves superior responsiveness and has the ability to maneuver quickly in tight spaces.

- Easy and smooth stationary steering and switchbacks
- Significant fluctuation reduction during straight travel
- Steering Synchronizer Function



Achieving High Marks With Operator Comfort and Efficiency

Ensuring operator comfort and efficiency is essential in achieving a reduction in total operating costs, through higher productivity. The AE50 / AM50 Series operating controls, functional set-ups, and ideal ergonomic layout combine to provide the essentials necessary to allow the operator to be more confident, more comfortable, and more efficient, thereby achieving a higher level of productivity.

Ergonomic Combination Lever

A Komatsu original design, based upon advanced ergonomic knowledge, the combination lever optimizes operating processes by cutting down on unnecessary movements. Operators can smoothly and effortlessly operate lifting, lowering, tilting, and also select travel direction with a slight touch of the switch on the lifting lever. All functional controls are within easy reach from the ideal seated position, ensuring operator comfort even during long continuous operation.



KOPS Plus – “Komatsu Operator Presence System”

In compliance with ISO3691, KOPS Plus cuts travel and lift/lowering three seconds after the operator leaves the seat. This travel and lift/lower interlock system allows hydraulic or traveling operations only when the operator is properly seated. Also, an alarm is activated if the operator leaves the seat without applying the parking brake. KOPS Plus remains activated even when the operator returns to the seat, and the interlock system can only be released by returning respective levers to their neutral positions.



The interlock state is also indicated on the meter panel.

Note: This travel interlock system prevents travel when the operator is not properly seated in the truck, but does not forcibly brake the truck.

Individual Set-Ups With Adjustable Performance Parameters

Functions such as traveling, lifting and tilting speeds can be adjusted to meet a wide variety of individual needs. These adjustments are easily made through the truck’s meter panel. With adjustable performance settings, application requirements can be individually optimized to achieve smoother, more efficient operations.



- Travel speed set-up
- Plugging regeneration set-up
- Accelerator/neutral regeneration set-up
- Lifting speed adjustment
- Tilting speed adjustment

Easy Access for Entry / Exit

With a low and spacious step area, entry and exit from the AE50 / AM50 Series is accomplished with minimal effort, thereby reducing operator fatigue. With a spacious assist grip, slim steering column design, and deck mounted control levers, the operator can enter or exit from either side of the truck.



Full Suspension Seat

Komatsu’s full suspension seat is specially designed to support the operator and minimize fatigue, even during long, continuous work cycles. The seat also offers hip supports and a seat-belt system as standard.



- 6-position backrest adjustment
- Retractable seat belt
- 6.7” front to back adjustment
- Cushioning adjustable to operator body weight

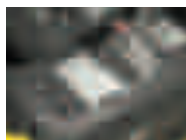
Excellent Visibility

With the operator positioned to the left side of the truck, excellent visibility is afforded in all directions. With high visibility masts, and the meter panel positioned on top of the dashboard, the operator has a clear front view to clearly see the fork tips.



On-Board Paper Binder

Conveniently located beside the operator’s seat, is a paper binder and spacious storage area for items such as pens and pencils.



High-Mount Rear Combination Light Bar

Turn signals, back-up lamp, and brake/stop lights are high mounted on the rear overhead guard canopy for easier visibility and truck awareness.



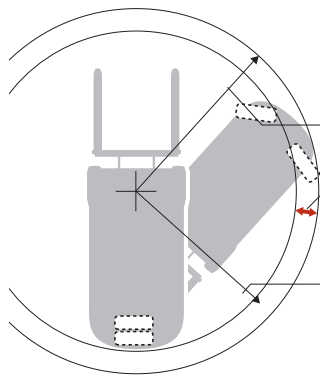
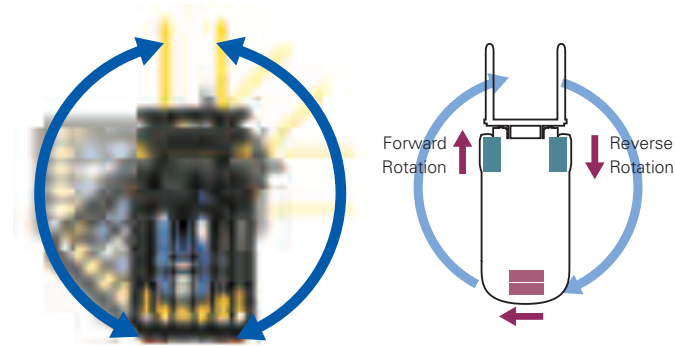
Wide-Angle Center Mirror

An optional, wide-angle center mounted mirror provides a wide rear view for greater operator convenience.



A Highly Maneuverable Three-Wheel Truck With Pivot Turn Ability

AM50 Series models feature dual rear wheel steering that can be turned 90°. In extremely tight turns and in tight maneuvering situations, the front inner tire rotates in the opposite direction whenever the steer tires turn more than 75°. This driving force facilitates smoother sharp turns as well as pivot turns.



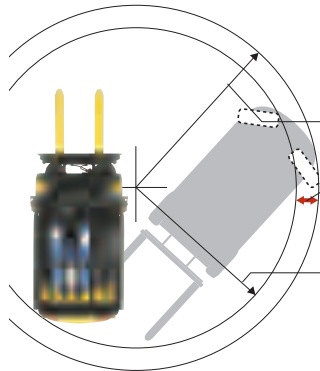
Minimum Turning Radius Comparison – 3,000 lb. capacity truck	
4-Wheel type trucks	AE50 – FB15 – 68.9"
8.7" difference	
3-Wheel type trucks	AM50 – FB15M – 60.2"

Improved Maneuverability With Compact 4,000 lb. AE50 Model

The compact design of the four-wheel, 4,000 lb. capacity AE50 model allows for improved maneuvering when used as a replacement truck for a comparable I.C. engine powered model in either indoor or outdoor applications. In addition to going greener with a battery powered forklift, you can enjoy the added benefits of additional space savings, exceptional agility, and turning ability.



Total Length Comparison with Std. 42" Forks	
I.C. Cushion – FG20ST-16	– 132.9"
I.C. Pneumatic – FG20T-16	– 141.5"
AE50 – FB20UA-12	– 128.0"
Possible 4.9" to 13.5" space savings!!	



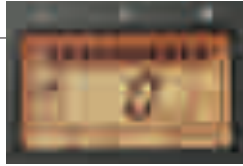
Turning Radius	
I.C. Cushion – FG20ST-16	– 75.6"
I.C. Pneumatic – FG20T-16	– 86.2"
AE50 – FB20UA-12	– 68.9"
Possible 6.7" to 17.3" easier maneuvering!!	



Important Value-Added Options

Digital Load Scale

Loads are weighed and digitally displayed in 22 lb. increments (Not for Legal Trade).



Rearview Mirrors / Left, Right, and Center

AE50 / AM50 Series models can be equipped with left and right side rearview mirrors in addition to a wide center mirror in order to aid operator visibility.

Protective Resin Rain Guard

With this protective overhead guard-mounted covering, the truck can easily be used outside in the rain.



Hydraulic Accumulator – Softcarry System

This optional hydraulic shock-reduction system helps to absorb travel vibrations and therefore protect fragile and delicate loads. The Softcarry system will also reduce vibration of the forks during normal hydraulic operations, and is particularly well-suited for applications with rough floor and surface conditions.



Other Optional Equipment

- Travel Alarm
- Back-Up Alarm
- Rear Work Light
- Strobe Light (amber, red, blue)
- Fire Extinguisher
- Automatic Fork Leveling Device
- Other Items As Noted On Page 12

Battery Related

- Easy-open side battery compartment access door is standard



Optional Specification Trucks

Cold Storage Specification Models (-30° F.)

Standard anticorrosive coatings and rugged durability make these models ideal for the rigorous conditions found in coolers and freezers.

Fishery Specification

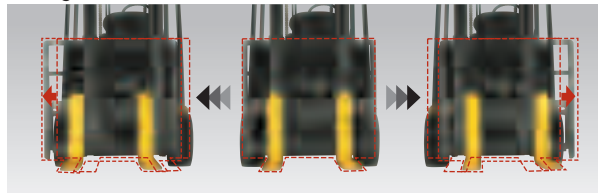
The finest anticorrosive coatings and rugged durability make these models ideal for the rigorous conditions found in fisheries, ships and docks where there is frequent contact with salt and water, salt spray, and salt water.

Dustproof Specification

All major motors and electronic parts are enclosed to prevent intrusion and contamination from dust.

Attachments

- Integral sidershifter



- Fork positioner
- Roll clamp
- Hinged forks
- Rotating forks
- Load stabilizer
- Fork clamp
- Bale clamp

Masts

2-Stage Free View Mast

(Maximum fork height – 196.9")
Mast features a wide front view between mast rails with limited free lift.

2-Stage Full Free View Mast

(Maximum fork height – 157.5")
Large amount of free lift makes this mast suitable for those applications where some lift is required in low clearance areas.

3-Stage Full Free View Mast

(Maximum fork height – 236.2")
Mast features excellent visibility with large amount of free lift, and high maximum fork heights for high rack loading/unloading.

Major Equipment

●:Standard ○:Option △:Available upon Request (S):Adjustable by service mechanic

		AE50 Series/4-wheel	AM50 Series/3-wheel
		Standard Truck	Standard Truck
		3,000 - 4,000 lbs capacity	3,000 - 4,000 lbs capacity
Intelligent Computer Control System (ICCS)		●	●
Motors	Drive Motor	AC	AC
	Hydraulic and Steering Motor	AC	AC
All-around Dual Drive		●	●
Airtight Wet Disc Brakes		●	●
Proportional Hydraulic Control Valve		●	●
Combination Lever (with integrated Forward/Reverse switch)		●	●
Steering Type		Fully Hydrostatic Power Steering (FHPS)	Fully Hydrostatic Power Steering (FHPS)
Controller Setup	Travel Settings	Travel Speed	●
		Soft-start	●(S)
		Acceleration	●(S)
	Hydraulic Settings	Lift Speed	●(S)
		Tilt Speed	●(S)
		Attachment Speed	●(S)
	Regeneration Settings	Plugging	●(S)
		Braking	●(S)
		Accelerator Neutral	●(S)
		Slope	●(S)
Intelligent Monitoring System (IMS) Display Indicators	Speedometer	●	
	Forward/Reverse Travel	●	
	Speed Limits	●	
	State of Battery Charge	●	
	Fork Leveling	○	
	Calendar/ Service Meter	●	
	Parking Brake	●	
	Neutral Position	●	
	KOPS PLUS Travel Warning Lamp	●	
	KOPS PLUS Lift Warning Lamp	●	
Error Codes	●		
Other Standard and Optional Features	Telescopic-tiltable Steering Column	●	
	KOPS PLUS Lift/Travel Interlock	●	
	Emergency Disconnect Switch	●	
	Neutral Position Switch	●	
	Automatic Power Off	●	
	Anti-Rollback	●	
	Key-off Lift Lockout	●	
	Parking Brake with Release Button	●	
	Cushioned Rubber Floor Mat	●	
	Full Suspension Seat	●	
	Pen Tray	●	
	Paper Binder	●	
	Back-up Alarm	○	
	Digital Load Scale	○	
	Travel Alarm	○	
	Rearview Mirrors (Left & Right)	○	
	Wide-angle Center Mirror	○	
	Rear Work Light	○	
	Strobe Light (amber/red/blue)	○	
	Rear Combo Light Package	○	
	Fire Extinguisher	○	
	Automatic Fork Leveling Device	○	
	Softcarry (Hydraulic Accumulator)	○	
	Protective Resin Overhead Guard Cover	○	
	Cold Storage Package	○	
	Fishery Package	○	
	Dustproof Package	○	
	Tilt Cylinder/Steering Cylinder Boots	○	
	Steel Cab	△	
	Side Battery Access	●	
Easy-Open Side Battery Access Door	●		

■ Mast Specifications

	Lift Height in. (mm)	Overall Height Lowered in. (mm)	Overall Height Extended in. (mm)	Free Lift in. (mm)	Tilt Forward/Back Degrees
AE50 - FB15U & FB18U / AM50 - FB15MU & FB18MU					
2-Stage Free View Mast					
	106.3 (2,700)	72.6 (1,845)	143.9 (3,655)	5.9 (150)	6/10
	118.1 (3,000)	78.5 (1,995)	155.7 (3,955)	5.9 (150)	6/10
	129.9 (3,300)	84.4 (2,145)	167.5 (4,255)	5.9 (150)	6/10
	137.8 (3,500)	88.4 (2,245)	175.4 (4,455)	5.9 (150)	6/10
	145.7 (3,700)	92.3 (2,345)	183.3 (4,655)	5.9 (150)	6/10
	157.5 (4,000)	100.2 (2,545)	195.1 (4,955)	5.9 (150)	6/10
	169.3 (4,300)	106.1 (2,695)	206.9 (5,255)	5.9 (150)	6/6
	177.2 (4,500)	110.0 (2,795)	214.8 (5,455)	5.9 (150)	6/6
	185.0 (4,700)	115.0 (2,920)	222.6 (5,655)	5.9 (150)	6/6
	196.9 (5,000)	120.9 (3,070)	234.4 (5,955)	5.9 (150)	6/6
2-Stage Full Free View Mast					
	118.1 (3,000)	78.5 (1,995)	156.5 (3,975)	42.3 (1,074)	6/10
	129.9 (3,300)	84.4 (2,145)	168.3 (4,275)	48.2 (1,224)	6/10
	137.8 (3,500)	88.4 (2,245)	176.2 (4,475)	52.2 (1,326)	6/10
	157.5 (4,000)	100.2 (2,545)	195.9 (4,975)	64.0 (1,626)	6/10
3-Stage Full Free View Mast					
	145.7 (3,700)	70.7 (1,795)	184.4 (4,685)	34.5 (876)	6/6
	157.5 (4,000)	74.6 (1,895)	196.3 (4,985)	38.4 (975)	6/6
	169.3 (4,300)	78.5 (1,995)	208.1 (5,285)	42.3 (1,074)	6/6
	177.2 (4,500)	81.5 (2,070)	215.9 (5,485)	45.3 (1,151)	6/6
	185.0 (4,700)	84.4 (2,145)	223.8 (5,685)	48.2 (1,224)	6/6
	196.9 (5,000)	88.4 (2,245)	235.6 (5,985)	52.2 (1,326)	6/6
	216.5 (5,500)	95.3 (2,420)	255.3 (6,485)	59.1 (1,500)	6/6
	236.2 (6,000)	102.2 (2,595)	275.0 (6,985)	66.0 (1,676)	6/6
AE50 - FB20AU / AM50 - FB20MU					
2-Stage Free View Mast					
	106.3 (2,700)	77.2 (1,960)	144.5 (3,670)	6.7 (170)	6/10
	118.1 (3,000)	83.1 (2,110)	156.3 (3,970)	6.7 (170)	6/10
	129.9 (3,300)	89.0 (2,260)	168.1 (4,270)	6.7 (170)	6/10
	137.8 (3,500)	92.9 (2,360)	176.0 (4,470)	6.7 (170)	6/10
	145.7 (3,700)	96.9 (2,460)	183.9 (4,670)	6.7 (170)	6/10
	157.5 (4,000)	104.7 (2,660)	195.7 (4,970)	6.7 (170)	6/10
	169.3 (4,300)	110.6 (2,810)	207.5 (5,270)	6.7 (170)	6/6
	177.2 (4,500)	114.6 (2,910)	215.4 (5,470)	6.7 (170)	6/6
	185.0 (4,700)	120.5 (3,060)	223.2 (5,670)	6.7 (170)	6/6
	196.9 (5,000)	126.4 (3,210)	235.0 (5,970)	6.7 (170)	6/6
2-Stage Full Free View Mast					
	118.1 (3,000)	83.1 (2,110)	156.3 (3,970)	46.9 (1,190)	6/10
	129.9 (3,300)	89.0 (2,260)	168.1 (4,270)	52.8 (1,340)	6/10
	137.8 (3500)	92.9 (2,360)	176.0 (4,470)	56.7 (1,440)	6/10
	157.5 (4000)	104.7 (2,660)	195.7 (4,970)	68.5 (1,740)	6/10
3-Stage Full Free View Mast					
	145.7 (3,700)	75.2 (1,910)	185.0 (4,700)	39.0 (990)	6/6
	157.5 (4,000)	79.1 (2,010)	196.9 (5,000)	42.9 (1,090)	6/6
	169.3 (4,300)	83.1 (2,110)	208.7 (5,300)	46.9 (1,190)	6/6
	177.2 (4,500)	86.0 (2,185)	216.5 (5,500)	49.8 (1,265)	6/6
	185.0 (4,700)	89.0 (2,260)	224.4 (5,700)	52.8 (1,340)	6/6
	196.9 (5,000)	92.9 (2,360)	236.2 (6,000)	56.7 (1,440)	6/6
	216.5 (5,500)	100.8 (2,560)	255.9 (6,500)	64.6 (1,640)	6/6
	236.2 (6,000)	108.7 (2,760)	275.6 (7,000)	72.4 (1,840)	6/6

NOTE: Custom masts available. Please consult your authorized dealer for information.

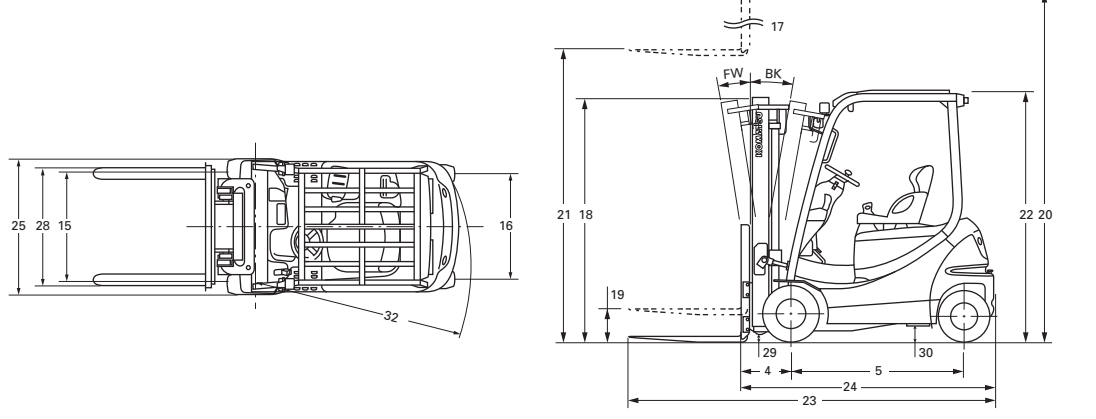
GENERAL				FB15U-12	FB18U-12
Power Type		1	Electric	Electric	
Operation Type		2	Sit-Down	Sit-Down	
Capacity @ 24 in. (600 mm) load center *	lbs. (kg)	3	3,000 (1350)	3,500 (1570)	
Load Distance - Front Axle Center to Fork Face	in. (mm)	4	15.9 (405)	15.9 (405)	
Wheelbase	in. (mm)	5	55.5 (1410)	55.5 (1410)	
WEIGHT					
Service weight (includes mast, forks and maximum battery wt.)	lbs. (kg)	6	6,910 (3141)	7,440 (3375)	
Axle Loading	Loaded	Front	7,740 (3973)	9,620 (4364)	
		Rear	1,170 (532)	1,320 (599)	
	Unloaded	Front	3,510 (1595)	3,520 (1597)	
		Rear	3,400 (1545)	3,920 (1778)	
TIRE					
Tire type		11	Solid Pneumatic	Solid Pneumatic	
Tire size, front		12	18 x 7-8	18 x 7-8	
Tire size, rear		13	16 x 6-8	16 x 6-8	
Number of wheels, front / rear	x= driven	14	2x / 2	2x / 2	
Tread (center of tires)	Front	15	37.0 (940)	37.0 (940)	
	Rear	16	34.1 (865)	34.1 (865)	
DIMENSIONS					
Tilting angle, 2-stage (FV) masts, forward / backward	deg.	17	6 / 10	6 / 10	
Mast height, lowered (2-stage std. mast)	in. (mm)	18	84.4 (2144)	84.4 (2144)	
Free lift height (2-stage std. mast)	in. (mm)	19	5.9 (150)	5.9 (150)	
Mast height, extended (2-stage std. mast) †	in. (mm)	20	167.5 (4255)	167.5 (4255)	
Maximum fork height (2-stage std. mast) **	in. (mm)	21	129.9 (3300)	129.9 (3300)	
Height overhead guard	in. (mm)	22	81.5 (2070)	81.5 (2070)	
Length, with Std. Forks	in. (mm)	23	123.2 (3129)	124.6 (3165)	
Length to fork face (2-stage mast)	in. (mm)	24	81.1 (2060)	82.5 (2095)	
Overall width, at drive tires	in. (mm)	25	43.7 (1110)	43.7 (1110)	
Forks, thickness x width x length	in.	26	1.4 x 3.9 x 42.1	1.4 x 3.9 x 42.1	
Forks, thickness x width x length	mm	27	35 x 100 x 1070	35 x 100 x 1070	
Carriage width / ITA Class	in. (mm)	28	38.2 (970) / II	38.2 (970) / II	
Ground clearance, under mast	in. (mm)	29	3.7 (95)	3.7 (95)	
Ground clearance, center of wheelbase	in. (mm)	30	4.9 (125)	4.9 (125)	
Right angle stacking aisle w/L1000 x W1200/L1200 x W800 (mm) pallets	in. (mm)	31	124.4 (3160)/132.2 (3358)	125.6 (3190)/133.5 (3391)	
Turning radius, outside	in. (mm)	32	68.9 (1750)	70.3 (1785)	
PERFORMANCE					
Travel speed, loaded / unloaded	mph (km/h)	33	10.0 (16.1) / 11.0 (17.7)	10.0 (16.1) / 11.0 (17.7)	
Lifting speed, loaded / unloaded (2-stage mast)	fpm (mm/s)	34	66.9 (340) / 118.1 (600)	63.0 (320) / 118.1 (600)	
Lowering speed, loaded / unloaded (2-stage mast)	fpm (mm/s)	35	88.6 (450) / 108.3 (550)	88.6 (450) / 108.3 (550)	
Maximum drawbar pull, loaded	lbs. (kN)	36	2,150 (9.6)	2,150 (9.6)	
Maximum gradeability	%	37	19.0	16.0	
Service brake, operation/control		38	Foot / Hydraulic	Foot / Hydraulic	
Parking brake, operation/control		39	Hand / Mechanical	Hand / Mechanical	
Steering, type		40	Fully Hydrostatic Power Steering (FHPS)	Fully Hydrostatic Power Steering (FHPS)	
DRIVE					
Drive motor (AC)	hp (kW)	41	6.0 (4.5) x 2	6.0 (4.5) x 2	
Pump motor (AC)	hp (kW)	42	12.1 (9.0)	12.1 (9.0)	
Battery voltage	V	43	48	48	
Battery capacity, Maximum	Ah/6hr	44	600	600	
Minimum battery weight	lbs. (kg)	45	1,590 (723)	1,590 (723)	
Maximum battery weight	lbs. (kg)	46	2,100 (955)	2,100 (955)	
OTHER					
Drive motor control		47	AC Inverter	AC Inverter	
Relief pressure - attachment	psi (bar)	48	2,300 (158.6)	2,300 (158.6)	
Hydraulic oil capacity	U.S. gallons (Liters)	49	6.1 (23)	6.1 (23)	

* Optional masts, attachments, longer load dimensions, and higher lifting heights may result in downrating of the capacity. Contact your authorized dealer.

** Other mast heights available. See MAST SPECIFICATIONS chart for other standard mast heights. Contact your authorized dealer.

† Includes 48-inch (1220 mm) high load backrest. Contact your authorized dealer.

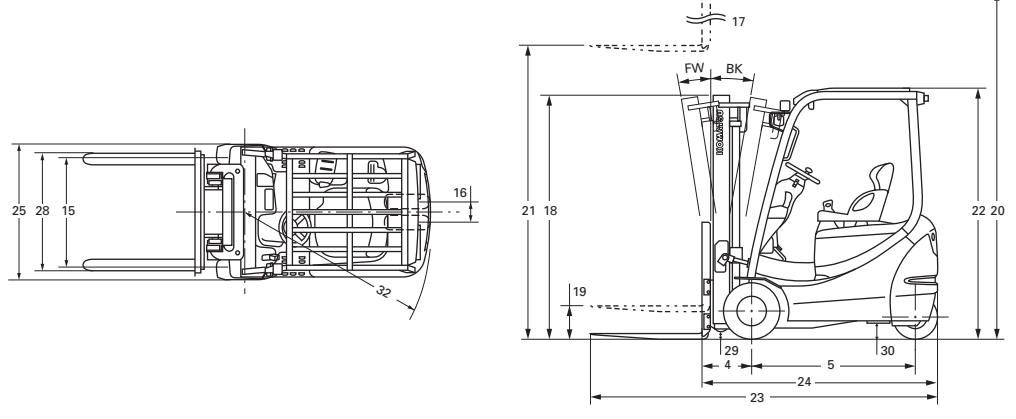
Dimensions/AE50 Series



AM50 Series Three-Wheel Models

FB20AU-12	FB15MU-12	FB18MU-12	FB20MU-12
Electric	Electric	Electric	Electric
Sit-Down	Sit-Down	Sit-Down	Sit-Down
4,000 (1800)	3,000 (1350)	3,500 (1570)	4,000 (1800)
16.7 (425)	15.9 (405)	15.9 (405)	16.7 (425)
57.9 (1470)	52.8 (1340)	54.7 (1390)	58.5 (1485)
8,370 (3797)	7,010 (3180)	7,640 (3465)	8,600 (3900)
10,940 (4962)	8,760 (3973)	9,700 (4400)	11,070 (5020)
1,430 (649)	1,250 (567)	1,440 (653)	1,530 (694)
4,020 (1823)	3,420 (1550)	3,570 (1620)	4,190 (1900)
4,350 (1973)	3,590 (1628)	4,070 (1846)	4,410 (2000)
Solid Pneumatic	Cushion	Cushion	Cushion
200/50 - 10	18 x 7 x 12.13	18 x 7 x 12.13	18 x 8 x 12.13
16 x 6-8	15 x 5 x 11.25	15 x 5 x 11.25	15 x 5 x 11.25
2x / 2	2x / 2 (dual)	2x / 2 (dual)	2x / 2 (dual)
37.4 (950)	37.0 (940)	37.0 (940)	37.4 (950)
34.1 (865)	6.7 (170)	6.7 (170)	6.7 (170)
6 / 10	6 / 10	6 / 10	6 / 10
89 (2260)	84.4 (2144)	84.4 (2144)	89 (2260)
6.7 (170)	5.9 (150)	5.9 (150)	6.7 (170)
168.1 (4270)	167.5 (4255)	167.5 (4255)	168.1 (4270)
129.9 (3300)	129.9 (3300)	129.9 (3300)	129.9 (3300)
81.5 (2070)	81.5 (2070)	81.5 (2070)	81.5 (2070)
128 (3250)	118.3 (3005)	120.9 (3070)	125.4 (3185)
85.8 (2180)	76.2 (1935)	78.7 (2000)	83.3 (2115)
45.7 (1160)	43.8 (1115)	43.8 (1115)	45.8 (1165)
1.4 x 4.8 x 42.1	1.4 x 3.9 x 42.1	1.4 x 3.9 x 42.1	1.4 x 4.8 x 42.1
36 x 122 x 1070	35 x 100 x 1070	35 x 100 x 1070	36 x 122 x 1070
38.2 (970) / II	38.2 (970) / II	38.2 (970) / II	38.2 (970) / II
3.7 (95)	3.7 (95)	3.7 (95)	3.7 (95)
4.9 (125)	4.9 (125)	4.9 (125)	4.9 (125)
129.1 (3280)/136.9 (3477)	120.5 (3060)/125.3 (3183)	122.8 (3120)/127.7 (3244)	127.4 (3236)/132.4 (3363)
72.8 (1850)	60.2 (1530)	62.6 (1590)	66.5 (1690)
9.0 (14.5) / 10.0 (16.1)	10.0 (16.1) / 11.0 (17.7)	10.0 (16.1) / 11.0 (17.7)	9.0 (14.5) / 10.0 (16.1)
55.1 (280) / 98.4 (500)	66.9 (340) / 118.1 (600)	63.0 (320) / 118.1 (600)	55.1 (280) / 98.4 (500)
72.8 (370) / 86.6 (440)	88.6 (450) / 108.3 (550)	88.6 (450) / 108.3 (550)	72.8 (370) / 86.6 (440)
2,040 (9.1)	2,150 (9.6)	2,150 (9.6)	2,040 (9.1)
14.0	19.0	16.0	14.0
Foot / Hydraulic	Foot / Hydraulic	Foot / Hydraulic	Foot / Hydraulic
Hand / Mechanical	Hand / Mechanical	Hand / Mechanical	Hand / Mechanical
Fully Hydrostatic Power Steering (FHPS)	Fully Hydrostatic Power Steering (FHPS)	Fully Hydrostatic Power Steering (FHPS)	Fully Hydrostatic Power Steering (FHPS)
6.0 (4.5) x 2	6.0 (4.5) x 2	6.0 (4.5) x 2	6.0 (4.5) x 2
12.1 (9.0)	12.1 (9.0)	12.1 (9.0)	12.1 (9.0)
48	48	48	48
600	600	600	600
1,680 (762)	1,590 (723)	1,590 (723)	1,680 (762)
2,100 (955)	2,100 (955)	2,100 (955)	2,100 (955)
AC Inverter	AC Inverter	AC Inverter	AC Inverter
2,300 (158.6)	2,300 (158.6)	2,300 (158.6)	2,300 (158.6)
6.1 (23)	6.1 (23)	6.1 (23)	6.1 (23)

Dimensions/AM50 Series



Komatsu's new electric counterbalanced forklifts bring bold improvements to the market with significant reductions in total operating costs, while improving truck performance and productivity.

AE50/AM50

CUSHION & PNEUMATIC TIRE FORKLIFTS

STRONG CUSTOMER SATISFACTION

Komatsu Forklift has a strong corporate commitment to produce, deliver and support quality products, and we have always made customer satisfaction our top priority. We will work to the best of our ability to help you maximize your operation's productivity while minimizing costs.

QUALITY PRODUCTS & SERVICES

Komatsu Forklift offers an expanding product line of over 120 electric and internal combustion engine forklift models with capacities from 2,000 to 35,000 pounds. We back them with a complete warranty program, superior service, and genuine OEM parts.

CONTACT YOUR DEALER TODAY

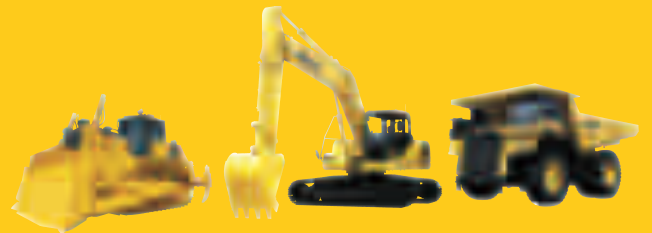
Your nearby Komatsu Forklift dealer is ready to assist you. Ask about financing and leasing programs that can be tailored to your business plan. Forklifts for your specific applications and workplace are waiting for you now.

Komatsu Dealer Network

Komatsu Forklift has over 195 dealer locations throughout the United States, Canada, Mexico, the Caribbean, and Central and South America. Komatsu dealers are staffed with dedicated teams of professionals who are trained to meet your forklift needs.

THE KOMATSU HERITAGE

As part of the Komatsu family, we have a proud heritage of excellence in equipment design and manufacturing. Since 1921 Komatsu has been a global leader in the construction and mining equipment industry. And since 1945, we have built upon that heritage by producing innovative, high-quality, durable forklifts to meet and exceed the needs of our customers.



KOM96-01

©2012 Komatsu America Corp.

Printed in USA

AD04(2.5M)C

04/12 (EV-1)

KOMATSU®

www.KomatsuAmerica.com

www.KomatsuForkliftUSA.com



Komatsu America Corp. is an authorized licensee of Komatsu Ltd. Materials and specifications are subject to change without notice.

Photos may include optional equipment.
KOMATSU is a registered trademark of Komatsu Ltd., Japan